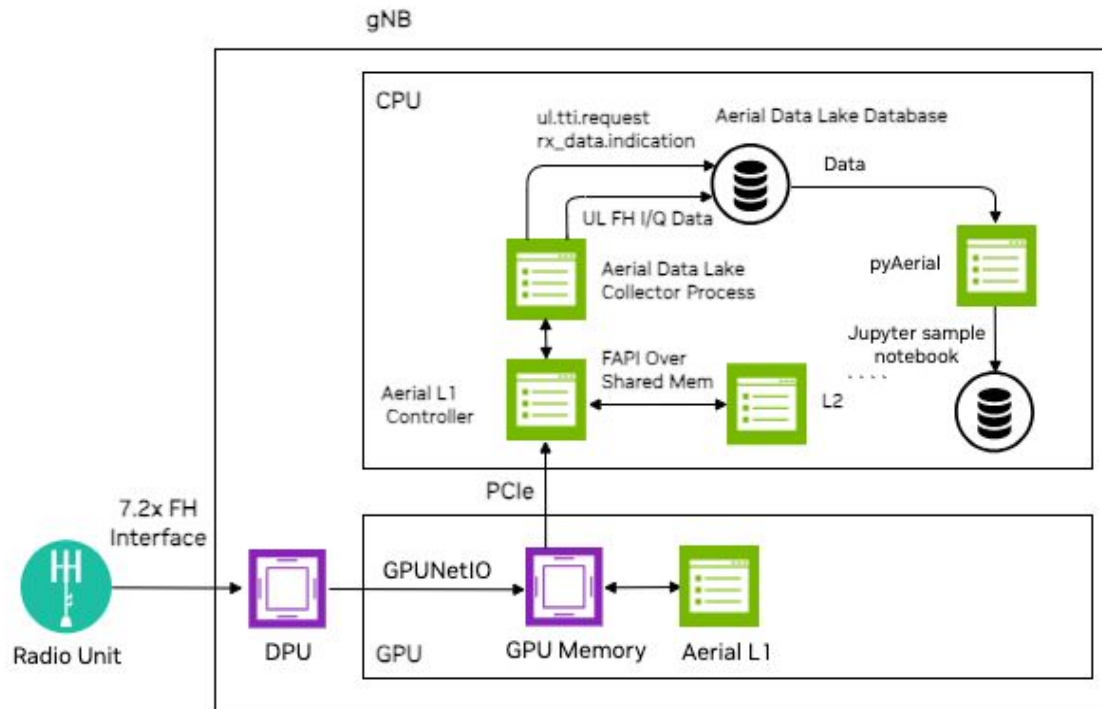


Aerial RAN CoLab – OTA CSI Dataset Blueprint

NVIDIA ARC-OTA Multi-UE Channel State Information
dataset blueprint



- ARC-OTA integrated Aerial Data Lake provides the ability to capture OTA radio frequency (RF) data from the base station (BS). Raw IQ samples from the 7.2x split fronthaul (FH) interface are collected in a database file
- Using the Aerial Data Lake database APIs, pyAerial can access RF samples in the database and transform these samples into training data or data sets for signal processing functions.
- A sample Jupyter notebook has been provided that can create a sample multi-UE CSI dataset
- SDKManager automation will help developers install AI/ML frameworks to easily generate a dataset